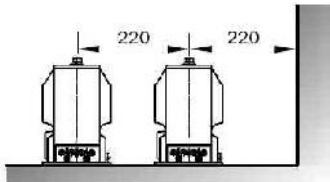


VOLTAGE TRANSFORMER(VT)
계기용변압기(計器用變壓器)

YH(G)P-22S(E)N

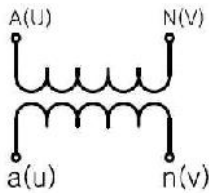


권장이격거리-SUGGESTED DISTANCE

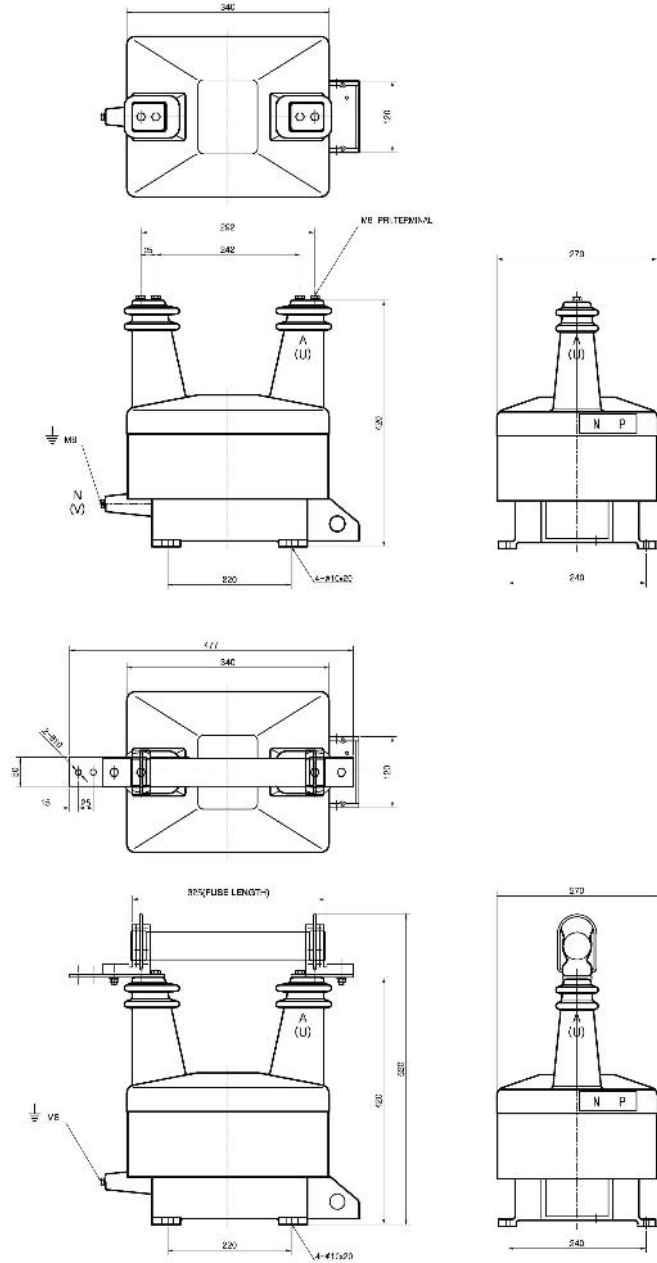
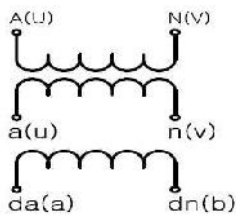


단자기호-MARKING

one secondary



residual winding



*OPTION : FUSE AND HOLDER

· Approximate dimension in mm

개요

점지형 계기용변압기, 지지-type, 옥내용, 예폭시성형품.
적용규격은 KS, IEC, JEC, IEEE 등에 의한다.
기타 사양이 다른 경우는 문의 요망

DESCRIPTION

Two pole insulated(phase to phase connection)Voltage transformer, support-type, valid for indoor service, cast resin. Designed for measurement and/or protection.
Manufactured as per standard KS, IEC, JEC, IEEE.
Other standards or special technical specification on request.

계기용변압기
(計器用變壓器)
YH(G)P-22S(E)N
VOLTAGE TRANSFORMER(VT)

전기적특성 ELECTRICAL CHARACTERISTICS

최고회로전압(kV)	24(25.8)	Highest voltage(kV)
주파수(Hz)	50/60	Frequency(Hz)
상용주파내전압(kV)	50	Power-frequency withstand voltage(kV)
충격내전압(kV) BIL	150	Lightning impulse voltage(kV). BIL
2차전압(V)	110, 110/√3	Secondary voltage(V)
3차전압(V)	110/3	Residual voltage(V)
과전압배수	1.2Vn/cont. 1.9Vn/8h	Voltage factor

기계적특성 MECHANICAL CHARACTERISTICS

조임강도(Nm)	TORQUE(Nm)
M12	56~70 M12
M8	16~20 M8
M5	2.8~3.5 M5
중량(kg)	50 Approximate weight(kg)
기타 다른 사양은 문의 요망 Other specifications on request	

적용 SERVICES

Highest Voltage(kV)	Rated voltage ratio(V)	Rated voltage factor	Accuracy Class	Rated Burden(VA)	Insulation Level(kV)	Type(Model)
24 (25.8)	$1\phi \frac{22000}{\sqrt{3}} / \frac{110}{\sqrt{3}}$	1.2Vn/cont. 1.9Vn/30s	0.5	50	50/150	YHP-22S(E)N
			1.0	200		
		1.2Vn/cont. 1.9Vn/8h	0.5	50		
			1.0	200		
		3.0	300			
			300			
	$1\phi \frac{22900}{\sqrt{3}} / \frac{190}{\sqrt{3}}$	1.2Vn/cont. 1.9Vn/30s	0.5	100		
			1.0	200		
		1.2Vn/cont. 1.9Vn/8h	0.5	50		
			1.0	200		
		3.0	300			
			300			
$1\phi \frac{22900}{\sqrt{3}} / \frac{110}{\sqrt{3}}$	1.2Vn/cont. 1.9Vn/30s	0.5	50			
		1.0	200			
	1.2Vn/cont. 1.9Vn/8h	0.5	50			
		1.0	200			
	3.0	300				
		300				
$1\phi \frac{22000}{\sqrt{3}} / \frac{110}{\sqrt{3}} / \frac{190}{3} (\frac{110}{3})$	1.2Vn/cont. 1.9Vn/30s	0.5/3P	50/200	YHGP-22S(E)N		
		1.0/3P	200/200			
	1.2Vn/cont. 1.9Vn/8h	0.5/3P	50/200			
		1.0/3P	200/200			
	1.0/6P	200/300				
		200/300				
$1\phi \frac{22900}{\sqrt{3}} / \frac{190}{\sqrt{3}} (\frac{110}{\sqrt{3}}) / \frac{190}{3} (\frac{110}{3})$	1.2Vn/cont. 1.9Vn/30s	0.5/3P	100(50)/200			
		1.0/3P	200/200			
	1.2Vn/cont. 1.9Vn/8h	0.5/3P	100(50)/200			
		1.0/3P	200/200			
	1.0/6P	200/300				
		200/300				

* Other specifications will be available on your request and contact with YOUNG-HWA directly.
 Fuse holder is available by option.