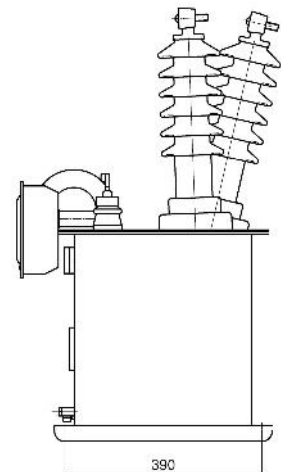
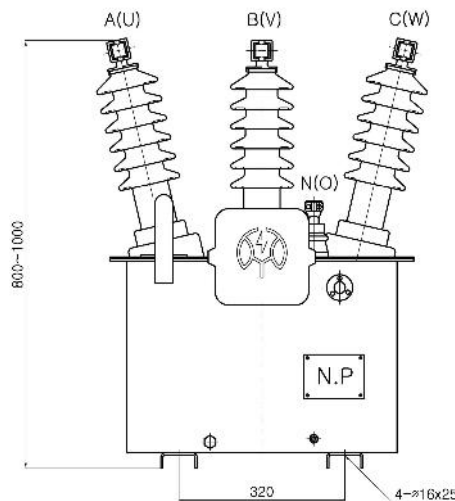
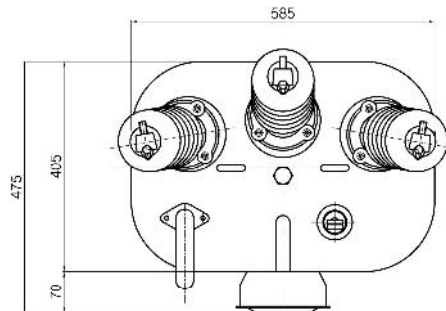


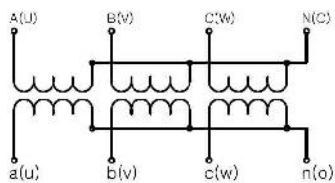
VOLTAGE TRANSFORMER(VT)
계기용변압기(計器用變壓器)

YHP-20(E)-3(S)/YHGP-20-3

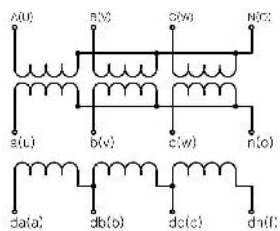


단자기호-MARKING

one secondary



residual winding



· Approximate dimension in mm

개요

점지형 계기용변압기, Tank-type, 옥외용, 유입형.
 적용규격은 KS, IEC, JEC, IEEE 등에 의한다.
 기타 사양이 다른 경우는 문의 요망

DESCRIPTION

Three pole insulated(phase to earth connection)Voltage transformer,
 tank-type, valid for outdoor service, Oil filled.
 Designed for measurement and/or protection.
 Manufactured as per standard KS, IEC, JEC, IEEE.
 Other standards or special technical specification on request.

계기용변압기 (計器用變壓器)	YHP-20(E)-3(S) YHGP-20-3	VOLTAGE TRANSFORMER(VT)
----------------------------------	---	--------------------------------

전기적특성 **ELECTRICAL CHARACTERISTICS**

최고회로전압(kV)	12 17.5 24	Highest voltage(kV)
주파수(Hz)	50/60	Frequency(Hz)
상용주파내전압(kV)	3(10)	Power-frequency withstand voltage(kV)
유도내전압(kV)	28 38 50	Induced withstand voltage(kV)
충격내전압(kV) BIL	75 95 150	Lightning impulse voltage(kV). BIL
2차전압(V)	110=110/√3	Secondary voltage(V)
3차전압(V)	190/3	Residual voltage(V)
과전압배수	1.2Vn/cont. 1.9Vn/30s(8h)	Voltage factor

기계적특성 **MECHANICAL CHARACTERISTICS**

조임강도(Nm)		TORQUE(Nm)
M12	56~70	M12
M5	2.8~3.5	M5
유량(ℓ)	80	Oil quantity(ℓ)
중량(kg)	150	Approximate weight(kg)
1차터미널은 동합금사용(석도금)		Primary terminals made of copper alloy casting.(Zinc-plate)
기타 다른 사양은 문의 요망		Other specifications on request

적용 **SERVICES**

Highest Voltage(kV)	Rated voltage ratio(V)	Rated voltage factor	Accuracy Class	Rated Burden(VA)	Insulation Level(kV)	Type(Model)
12	3φ $\frac{11000}{\sqrt{3}} / \frac{110}{\sqrt{3}}$	1.2Vn/cont. 1.9Vn/30s	0.5 1.0	100 200	28/75	YHP-20(E)-3
		1.2Vn/cont. 1.9Vn/8h	1.0	200		
	3φ $\frac{11000}{\sqrt{3}} / \frac{110}{\sqrt{3}} / \frac{190}{3} (\frac{110}{3})$	1.2Vn/cont. 1.9Vn/30s	1.0/3P	200/200		YHGP-20-3
		1.2Vn/cont. 1.9Vn/8h	1.0/3P	200/200		
17.5	3φ $\frac{13800}{\sqrt{3}} / \frac{110}{\sqrt{3}}$ or $\frac{15000}{\sqrt{3}} / \frac{110}{\sqrt{3}}$	1.2Vn/cont. 1.9Vn/30s	0.5 1.0	100 200	38/95	YHP-20(E)-3
		1.2Vn/cont. 1.9Vn/8h	1.0	200		
	3φ $\frac{13800}{\sqrt{3}} / \frac{110}{\sqrt{3}} / \frac{190}{3} (\frac{110}{3})$ $\frac{15000}{\sqrt{3}} / \frac{110}{\sqrt{3}} / \frac{190}{3} (\frac{110}{3})$	1.2Vn/cont. 1.9Vn/30s	1.0/3P	200/200		YHGP-20-3
		1.2Vn/cont. 1.9Vn/8h	1.0/3P	200/200		
24	3φ $\frac{22000}{\sqrt{3}} / \frac{110}{\sqrt{3}}$ $\frac{22900}{\sqrt{3}} / \frac{110}{\sqrt{3}}$	1.2Vn/cont. 1.9Vn/30s	0.5 1.0	100 200	50/150	YHP-20(E)-3
		1.2Vn/cont. 1.9Vn/8h	1.0	200		
	3φ $\frac{22000}{\sqrt{3}} / \frac{190}{\sqrt{3}}$ $\frac{22900}{\sqrt{3}} / \frac{190}{\sqrt{3}}$	1.2Vn/cont. 1.9Vn/30s	0.5 1.0	100 200		YHP-20(E)-3S
		1.2Vn/cont. 1.9Vn/8h	1.0	200		
	3φ $\frac{22000}{\sqrt{3}} / \frac{110}{\sqrt{3}} / \frac{190}{3} (\frac{110}{3})$ $\frac{22900}{\sqrt{3}} / \frac{110}{\sqrt{3}} / \frac{190}{3} (\frac{110}{3})$	1.2Vn/cont. 1.9Vn/30s	1.0/3P	200/200		YHGP-20-3
		1.2Vn/cont. 1.9Vn/8h	1.0/3P	200/200		

※ Other specifications will be available on your request and contact with YOUNG-HWA directly.