

**VOLTAGE TRANSFORMER(VT)**

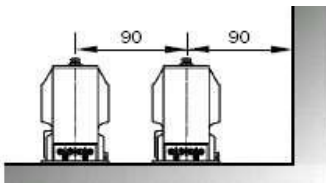
**계기용변압기(計器用變壓器)**

**YH(G)P-6-D1N**

**YH(G)P-6-D3N**

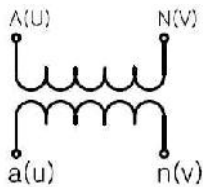


권장이격거리-SUGGESTED DISTANCE

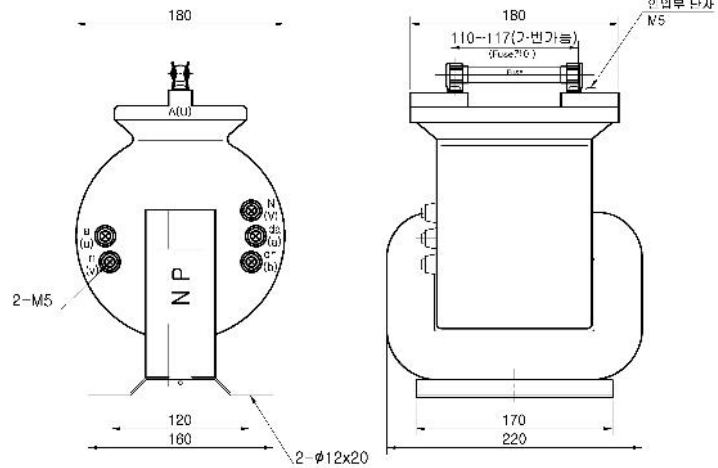
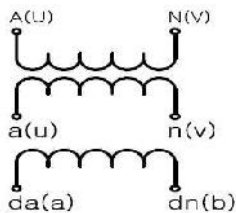


단자기호-MARKING

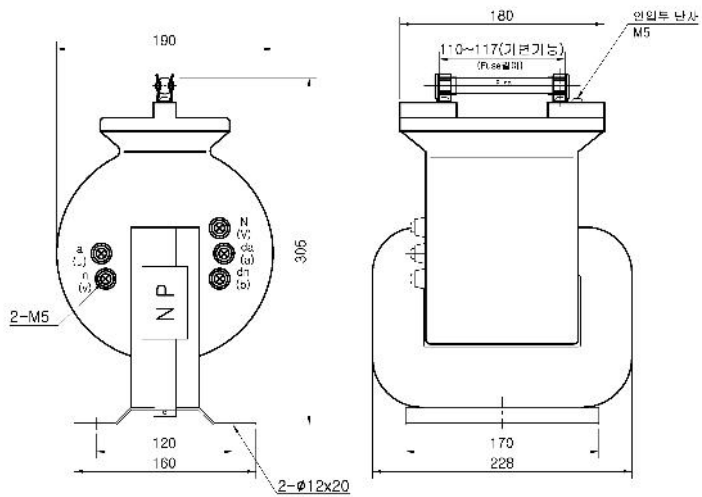
one secondary



residual winding



**YH(G)P-6-D1N**



**YH(G)P-6-D3N**

· Approximate dimension in mm

**개요**

절지형 계기용변압기, 지지-type, 옥내용, 에폭시성형품.  
적용규격은 KS, IEC, JEC, IEEE 등에 의한다.  
기타 사양이 다른 경우는 문의 요망

**DESCRIPTION**

One pole insulated(phase to earth connection)Voltage transformer, support-type, valid for indoor service, cast resin. Designed for measurement and/or protection.  
Manufactured as per standard KS, IEC, JEC, IEEE.  
Other standards or special technical specification on request.

**계기용변압기 (計器用變壓器) YH(G)P-6-D1N YH(G)P-6-D3N VOLTAGE TRANSFORMER(VT)**

**전기적특성 ELECTRICAL CHARACTERISTICS**

최고회로전압(kV)	3.6	7.2	Highest voltage(kV)
주파수(Hz)	50/60		Frequency(Hz)
상용주파내전압(kV)	10	20	Power-frequency withstand voltage(kV)
충격내전압(kV) BIL	40	60	Lightning impulse voltage(kV). BIL
2차전압(V)	110, 110/√3		Secondary voltage(V)
3차전압(V)	110/3		Residual voltage(V)
과전압배수	1.2Vn/cont. 1.9Vn/8h		Voltage factor

**기계적특성 MECHANICAL CHARACTERISTICS**

조임강도(Nm)		TORQUE(Nm)
M12	56~70	M12
M8	16~20	M8
M5/M6	2.8~3.5	M5/M6
중량(kg)	19 / 23	Approximate weight(kg)
기타 다른 사양은 문의 요망		Other specifications on request

**적용 SERVICES**

Highest Voltage(kV)	Rated voltage ratio(V)	Rated voltage factor	Accuracy Class	Rated Burden(VA)	Insulation Level(kV)	Type(Model)
3.6	$1\phi \frac{3300}{\sqrt{3}} / \frac{110}{\sqrt{3}}$	1.2Vn/cont.	0.5	50	10/40	YHP-6-D1N
		1.9Vn/30s	1.0	100		
		1.2Vn/cont.	0.5	50		
		1.9Vn/8h	1.0	100		
	$1\phi \frac{3300}{\sqrt{3}} / \frac{110}{\sqrt{3}} / \frac{190}{3} \text{ or } \frac{110}{3}$	1.2Vn/cont.	0.5/3P	50/100		YHGP-6-D1N
		1.9Vn/30s	1.0/3P	100/200		
7.2	$1\phi \frac{6600}{\sqrt{3}} / \frac{110}{\sqrt{3}}$	1.2Vn/cont.	0.5	50	20/60	YHP-6-D1N
		1.9Vn/30s	1.0	100		
		1.2Vn/cont.	0.5	50		
		1.9Vn/8h	1.0	100		
	$1\phi \frac{6600}{\sqrt{3}} / \frac{110}{\sqrt{3}} / \frac{190}{3} \text{ or } \frac{110}{3}$	1.2Vn/cont.	0.5/3P	50/100		YHGP-6-D1N
		1.9Vn/30s	1.0/3P	100/200		
3.6	$1\phi \frac{3300}{\sqrt{3}} / \frac{110}{\sqrt{3}}$	1.2Vn/cont.	0.5	100	10/40	YHP-6-D3N
		1.9Vn/30s	1.0	300		
		1.2Vn/cont.	0.5	100		
		1.9Vn/8h	1.0	200		
	$1\phi \frac{3300}{\sqrt{3}} / \frac{110}{\sqrt{3}} / \frac{190}{3} \text{ or } \frac{110}{3}$	1.2Vn/cont.	0.5/3P	100/200		YHGP-6-D3N
		1.9Vn/30s	1.0/3P	200/300		
7.2	$1\phi \frac{6600}{\sqrt{3}} / \frac{110}{\sqrt{3}}$	1.2Vn/cont.	0.5	100	20/60	YHP-6-D3N
		1.9Vn/30s	1.0	300		
		1.2Vn/cont.	0.5	100		
		1.9Vn/8h	1.0	200		
	$1\phi \frac{6600}{\sqrt{3}} / \frac{110}{\sqrt{3}} / \frac{190}{3} \text{ or } \frac{110}{3}$	1.2Vn/cont.	0.5/3P	100/100		YHGP-6-D3N
		1.9Vn/30s	1.0/3P	200/300		
$1\phi \frac{6600}{\sqrt{3}} / \frac{110}{\sqrt{3}} / \frac{190}{3} \text{ or } \frac{110}{3}$	1.2Vn/cont.	0.5/3P	100/200	YHGP-6-D3N		
	1.9Vn/30s	1.0/6P	200/500			
	1.2Vn/cont.	0.5/3P	100/200			
	1.9Vn/8h	1.0/3P	200/200			

\* Other specifications will be available on your request and contact with YOUNG-HWA directly.  
Fuse holder is available by option.