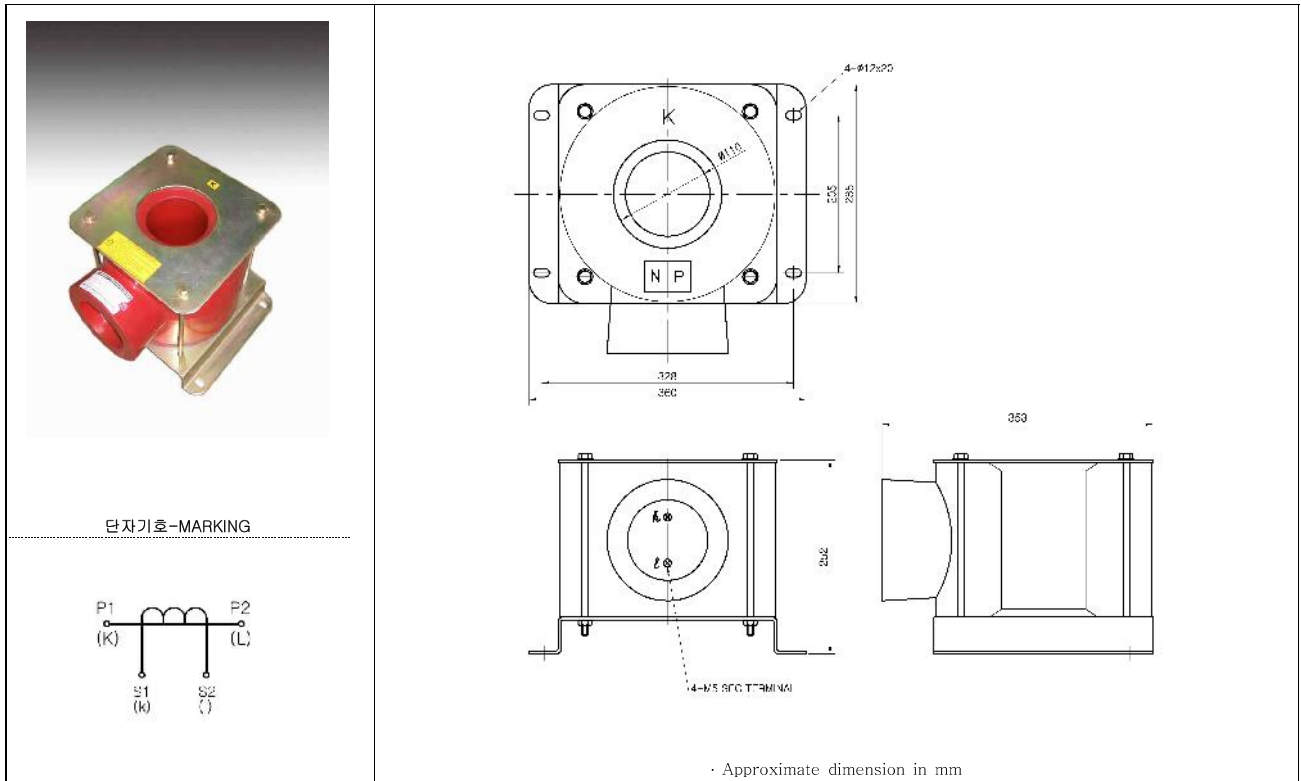


ZCT
영상변류기(零相變流器)

YHZC-5



전기적특성

ELECTRICAL CHARACTERISTICS

최고회로전압(kV)	0.6	Highest voltage(kV)
주파수(Hz)	50/60	Frequency(Hz)
상용주파내전압(kV)	2	Power-frequency withstand voltage(kV)
충격내전압(kV) BIL	-	Lightning impulse voltage(kV). BIL
최대1차전류(A)	150	Max. primary current(A)
2차전류(A)	5/1	Secondary current(A)

기계적특성

MECHANICAL CHARACTERISTICS

조임강도(Nm)		TORQUE(Nm)
M5	2.8~3.5	M6
중량(kg)	41	Approximate weight(kg)

적용

SERVICES

Highest Voltage(kV)	Rated Current Ratio(A)	Rated output	Accuracy Class	Exciting Impedance	Over current factor	Inner diameter	Insulation Level(kV)	Type(Model)
0.6	40/5~150/5	15VA	3P	-	n>5	110	2/-	YHZC-5

※ Other specifications will be available on your request and contact with YOUNG-HWA directly.