

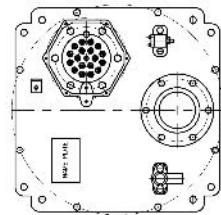
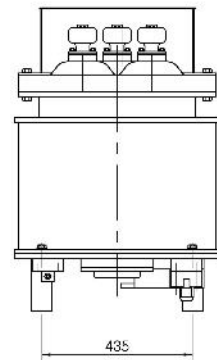
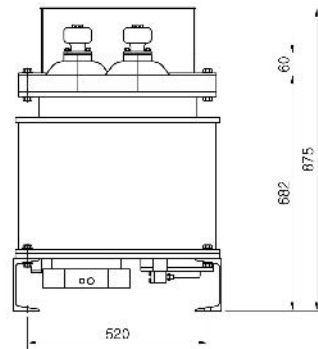
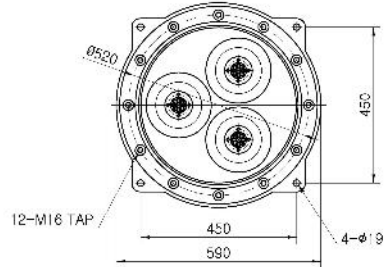
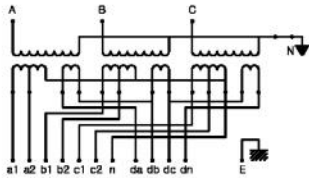
VOLTAGE TRANSFORMER(VT)
계기용변압기(計器用變壓器)

VT25.8IJ
VT36IJ

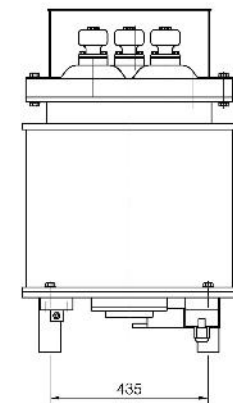
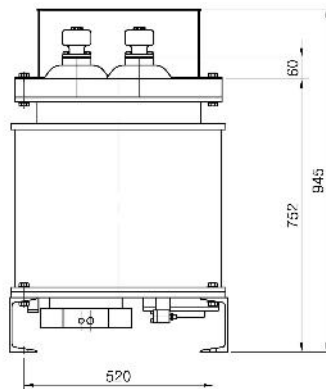


For GIS

단자기호-MARKING



<VT25.8IJ>



<VT36IJ>

· Approximate dimension in mm

개요

3상 접지형 계기용변압기, 옥내용, SF₆.
적용규격은 ES, IEC, JEC, IEEE 등에 의한다.
기타 사양이 다른 경우는 문의 요망

DESCRIPTION

Three pole insulated(phase to earth connection)Voltage transformer, valid for indoor service, SF₆ gas. Designed for measurement and/or protection.

Manufactured as per standard ES, IEC, JEC, IEEE.

Other standards or special technical specification on request.

계기용변압기 (計器用變壓器)	VT25.8IJ VT36IJ	VOLTAGE TRANSFORMER(VT)
----------------------------	----------------------------	--------------------------------

전기적특성 **ELECTRICAL CHARACTERISTICS**

최고회로전압(kV)	25.8	36	Highest voltage(kV)
주파수(Hz)	60	50	Frequency(Hz)
상용주파내전압(kV)	3		Power-frequency withstand voltage(kV)
유도내전압(kV)	70		Induced withstand voltage(kV)
충격내전압(kV) BIL	150	170	Lightning impulse voltage(kV). BIL
2차전압(V)	110-110/√3	110/√3	Secondary voltage(V)
3차전압(V)	190/3	-	Residual voltage(V)
과전압배수	1.2Vn/cont. 1.5Vn/30s		Voltage factor

기계적특성 **MECHANICAL CHARACTERISTICS**

조임강도(Nm)			TORQUE(Nm)
M16	99~130		M16
M5	2.8~3.5		M5
중량(kg)	280	300	Approximate weight(kg)
정격 GAS 압	1.25bar.G	1.5bar.G	Rated GAS pressure
기타 다른 사양은 문의 요망			Other specifications on request

적용 **SERVICES**

Highest Voltage(kV)	Rated voltage ratio(V)	Rated voltage factor	Accuracy Class	Rated Burden(VA)	Insulation Level(kV)	Type(Model)
25.8	$3\phi 4W, 13200/110 \frac{110}{\sqrt{3}} / \frac{110}{\sqrt{3}}$	1.2Vn/cont. 1.5Vn/30s	1.0/3P	200/200	70/150	VT25.8IJ
36	$3\phi 4W, \frac{33000}{\sqrt{3}} / \frac{110}{\sqrt{3}}$	1.2Vn/cont. 1.5Vn/30s	1.0	100	70/170	VT36IJ

※ Other specifications will be available on your request and contact with YOUNG-HWA directly.