

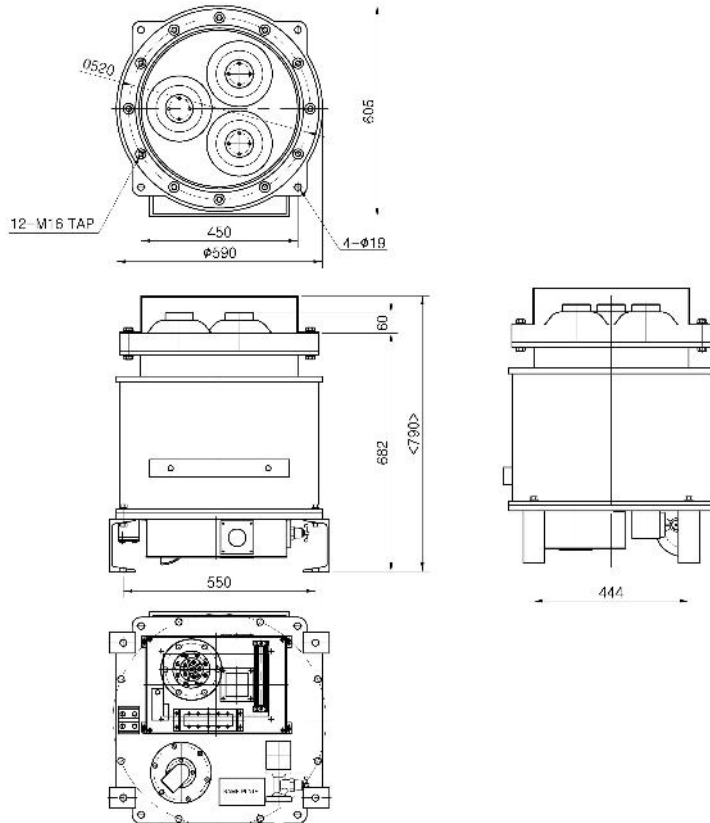
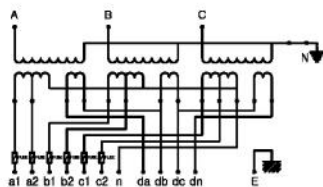
VOLTAGE TRANSFORMER(VT)
계기용변압기(計器用變壓器)

VT25.8HS
VT36HS

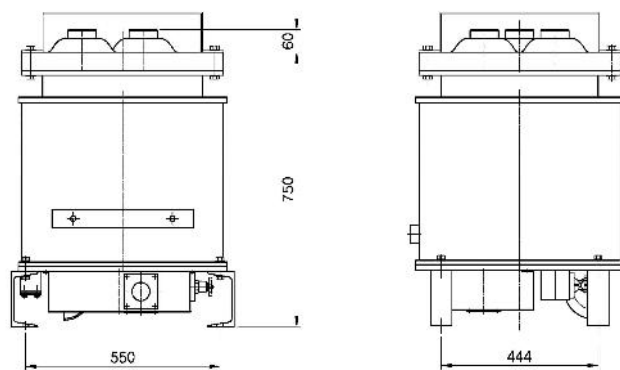


For GIS

단자기호-MARKING



<VT25.8HS>



<VT36HS>

· Approximate dimension in mm

개요

3상 접지형 계기용변압기, 옥내용, SF₆.
 적용규격은 ES, IEC, JEC, IEEE 등에 의한다.
 기타 사양이 다른 경우는 문의 요망

DESCRIPTION

Three pole insulated(phase to earth connection)Voltage transformer, support-type, valid for indoor service, SF₆ gas. Designed for measurement and/or protection.
 Manufactured as per standard ES, IEC, JEC, IEEE.
 Other standards or special technical specification on request.

계기용변압기 (計器用變壓器) VT25.8HS VT36HS VOLTAGE TRANSFORMER(VT)

전기적특성 ELECTRICAL CHARACTERISTICS

최고회로전압(kV)	25.8	36	Highest voltage(kV)
주파수(Hz)	60		Frequency(Hz)
상용주파내전압(kV)	3		Power-frequency withstand voltage(kV)
유도내전압(kV)	70		Induced withstand voltage(kV)
충격내전압(kV) BIL	150	170	Lightning impulse voltage(kV). BIL
2차전압(V)	110-110/√3		Secondary voltage(V)
3차전압(V)	190/3		Residual voltage(V)
과전압배수	1.2Vn/cont. 1.5Vn/30s		Voltage factor

기계적특성 MECHANICAL CHARACTERISTICS

조임강도(Nm)			TORQUE(Nm)
M16	99~130		M16
M5	2.8~3.5		M5
중량(kg)	280	300	Approximate weight(kg)
정격 GAS 압	1.0bar.G		Rated GAS pressure
기타 다른 사양은 문의 요망	Other specifications on request		

적용 SERVICES

Highest Voltage(kV)	Rated voltage ratio(V)	Rated voltage factor	Accuracy Class	Rated Burden(VA)	Insulation Level(kV)	Type(Model)
25.8	$3\phi 4W, 13200/110 \cdot \frac{110}{\sqrt{3}} / \frac{190}{3}$	1.2Vn/cont. 1.5Vn/30s	1.0/3P	200/200	70/150	VT25.8HS
36	$3\phi 4W, \frac{33000}{\sqrt{3}} / 110 \cdot \frac{110}{\sqrt{3}} / \frac{190}{3}$	1.2Vn/cont. 1.5Vn/30s	1.0/3P	200/200	70/170	VT36HS

* Other specifications will be available on your request and contact with YOUNG-HWA directly.